

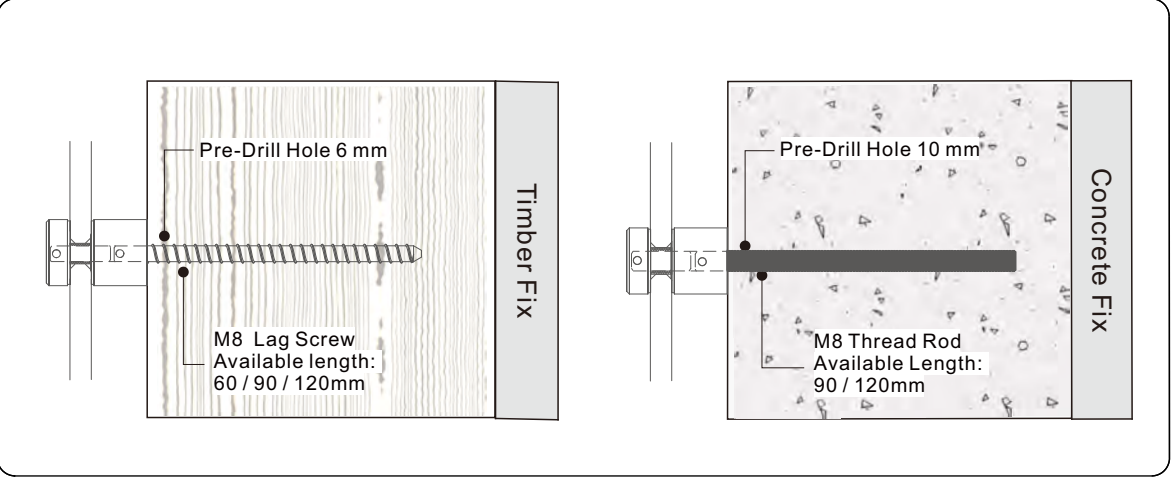
Drawing ID
SOF-25 Series

Diameter	Spacer	Available Finished	
		Polish S.S	Satin S.S
Ø25	10mm	●	●
Ø25	20mm	●	●
Ø25	30mm	●	●
Ø25	40mm	●	●
Ø25	50mm	●	●

Glass Preparation



Instructions



MATERIAL:
316L Stainless Steel

CATALOGUE AND DESCRIPTION:

- > Glass Fixing Systems
- > Standoff Series
- > Ø 25mm Range

NOTES:

This drawing and or specification is the property of Silver Stone Hardware Pty Ltd - and must be returned to them on request. Unauthorised use may result in Legal Action. Its contents must not be made public, nor copied, nor used directly or indirectly in any way.

SILVER STONE HARDWARE PTYLID

56-62 Bryant Street, Padstow, NSW 2211
T: (02) 9792 2955 M: 0452 526 680
www.silverstonehardware.com.au
sales@silverstonehardware.com.au